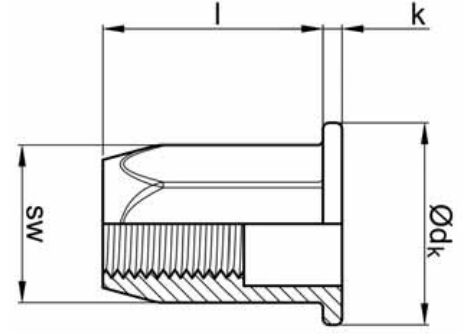
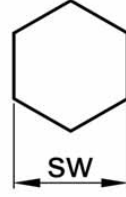




SOMUNLU PERÇİN ÇELİK ALTİKÖŞE GÖVDE FLANŞ KAFA

RIVET NUTS INOX HEX. FLANGE HEAD



			l [+1/-2] [mm]		$\varnothing dk$ [mm]	k [mm]	SW [+0/0,12] [mm]	\odot [Nm]	ÜRÜN NO PART NO
M4	SW 6,0	$\begin{matrix} \updownarrow [N] : 6.270 \\ \rightleftarrows [N] : 2.330 \end{matrix}$	10,0	0,5 - 2,0	$\leq 0,8$	5,9	8,0		
M5	SW 7,0	$\begin{matrix} \updownarrow [N] : 10.780 \\ \rightleftarrows [N] : 3.610 \end{matrix}$	13,0	0,5 - 2,5	$\leq 1,0$	6,9	12,0		
M6	SW 9,0	$\begin{matrix} \updownarrow [N] : 17.640 \\ \rightleftarrows [N] : 4.220 \end{matrix}$	14,0	0,5 - 3,0	$\leq 1,3$	8,9	20,5		
M8	SW 11,0	$\begin{matrix} \updownarrow [N] : 27.440 \\ \rightleftarrows [N] : 4.900 \end{matrix}$	16,5	1,0 - 3,5	$\leq 1,5$	10,9	26,5		
M10	SW 13,0	$\begin{matrix} \updownarrow [N] : 29.400 \\ \rightleftarrows [N] : 5.880 \end{matrix}$	19,0	1,0 - 3,5	$\leq 1,7$	12,9	40,0		
	SW 12,0		19,0	1,0 - 3,5	$\leq 1,7$	11,9	40,0		
M12	SW 15,0	$\begin{matrix} \updownarrow [N] : 63.000 \\ \rightleftarrows [N] : 12.600 \end{matrix}$	21,0	1,0 - 4,0	$\leq 1,7$	14,9	76,0		

