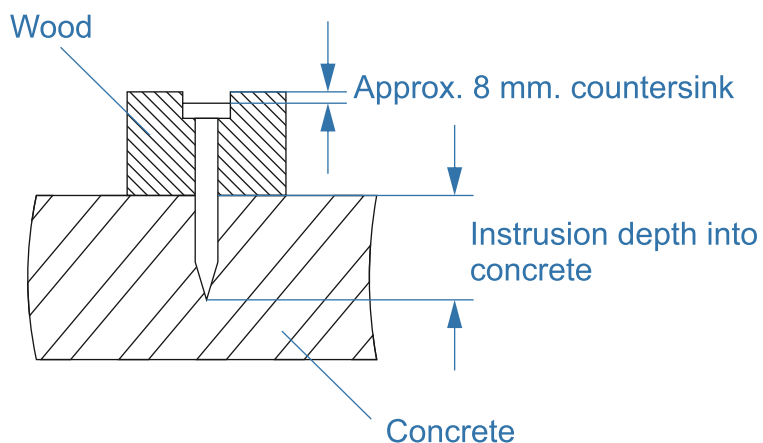
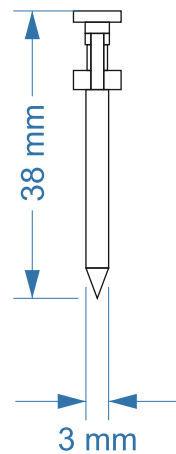
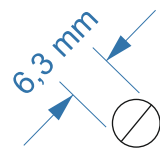
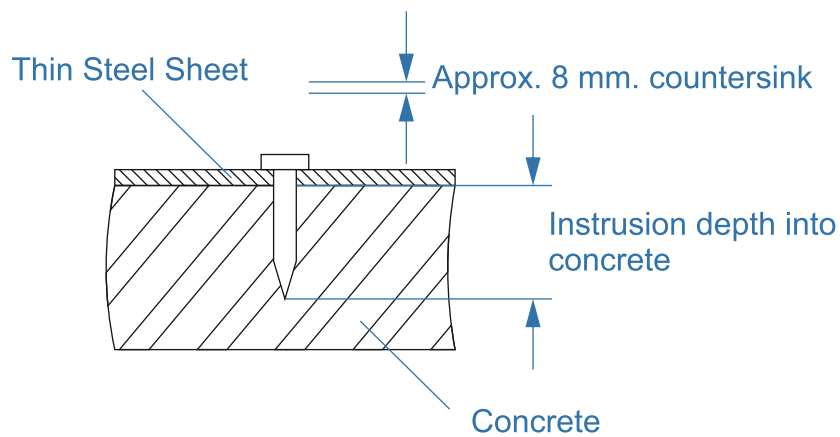


Plastic-collated strip nails



Choose nail to secure approx. 15 mm. - 20 mm. intrusion depth.



Choose nail to secure approx. 15 mm. - 20 mm. intrusion depth.

Product Intro:

MLS Drive Pins Product information

Shank Diameter:	2.5mm
Head Diameter:	6.3mm
Metal Composition:	Carbon steel
Point type:	Ballistic
Accessory:	Black plastic strip
Base Material:	concrete / steel
For use with:	Track fast or Track-it tools
Note:	Shank can be knurled

Model	Shank Length (mm)	Shank Length (inch)
MLS50	13mm	1/2"
MLS58	16mm	5/8"
MLS75	19mm	3/4"
MLS100	25mm	1"
MLS125	32mm	1-1/4"
MLS150	38mm	1-1/2"

