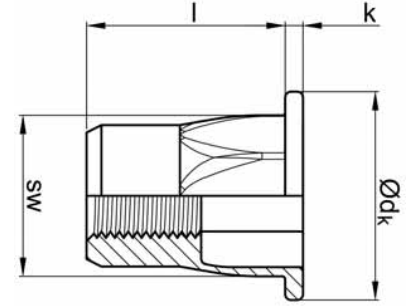
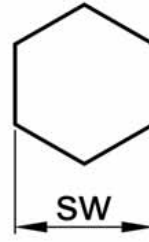

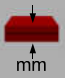


SOMUNLU PERÇİN SS YARIM ALTİKÖŞE GÖVDE FLANŞ KAFA

RIVET NUTS SS HALF - HEX. FLANGE HEAD



			l [+1/-2] [mm]		Ø dk [mm]	k [mm]	d [+0/0,12] [mm]	\odot [Nm]	ÜRÜN NO PART NO	
M4	SW1 6,0	\updownarrow [N] : 10.190 \rightleftarrows [N] : 2.680	11,0 [+0/-1,3]	0,5 - 2,0	9,0 [+0,2/-0,3]	$\leq 0,8$	5,9	12,0	02.14311.M041100520	
M5	SW1 7,0	\updownarrow [N] : 12.740 \rightleftarrows [N] : 3.430	12,0 [+0/-1,3]	0,5 - 2,5	10,0 [+0,2/-0,3]	$\leq 1,0$	6,9	14,0	02.14311.M051200525	
M6	SW1 9,0	\updownarrow [N] : 19.600 \rightleftarrows [N] : 4.700	15,5 [+0/-1,8]	0,5 - 3,0	12,7 [+0,2/-0,3]	$\leq 1,3$	8,9	26,0	02.14311.M061550530	
M8	SW1 11,0	\updownarrow [N] : 37.240 \rightleftarrows [N] : 6.860	18,0 [+0/-1,8]	0,5 - 3,5	16,0 [+0,5/-0,1]	$\leq 1,5$	10,9	39,0	02.14311.M081801035	
M10	SW1 13,0	\updownarrow [N] : 63.700 \rightleftarrows [N] : 6.820	21,0 [+0/-2,3]	1,0 - 4,0	18,0 [+0,2/-0,3]	$\leq 1,7$	12,9	45,0	02.14311.M102101040	

