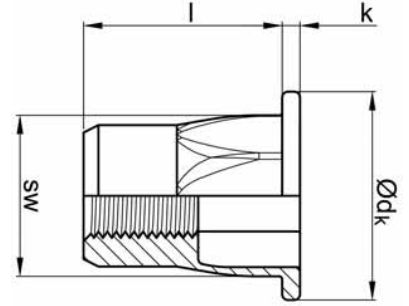
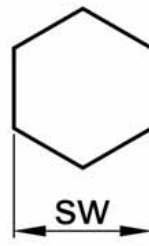

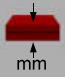


SOMUNLU PERÇİN ÇELİK YARIM ALTİKÖŞE GÖVDE FLANŞ KAFA

RIVET NUTS STEEL HALF - HEX. FLANGE HEAD



			l [+1/-2] [mm]		$\varnothing dk$ [mm]	k [mm]	SW [+0/0,12] [mm]	\odot [Nm]	ÜRÜN NO PART NO
M4	SW1 6,0	\updownarrow [N] : 6.800 \rightleftarrows [N] : 2,200	11,0	0,5 - 2,0	9,0 [+ -0,4/-0]	$\leq 0,8$	5,9	3,0	02.14213.M041100520
M5	SW1 7,0	\updownarrow [N] : 10.000 \rightleftarrows [N] : 3.300	12,0	0,5 - 2,5	10,0 [+ -0,4/-0]	$\leq 1,0$	6,9	6,0	02.14213.M051200525
M6	SW1 9,0	\updownarrow [N] : 15.000 \rightleftarrows [N] : 4.400	15,5	0,5 - 3,0	12,7 [+ -0,4/-0]	$\leq 1,3$	8,9	10,0	02.14213.M061550530
M8	SW1 11,0	\updownarrow [N] : 27.000 \rightleftarrows [N] : 5.200	18,0	1,0 - 3,5	16,0 [+ -0,5/-0]	$\leq 1,5$	10,9	24,0	02.14213.M081801035
M10	SW1 13,0	\updownarrow [N] : 34.200 \rightleftarrows [N] : 6.840	21,0	1,0 - 3,5	18,0 [+ -0,5/-0]	$\leq 1,7$	12,9	42,0	02.14213.M102201040

